

## SPECIFICATION

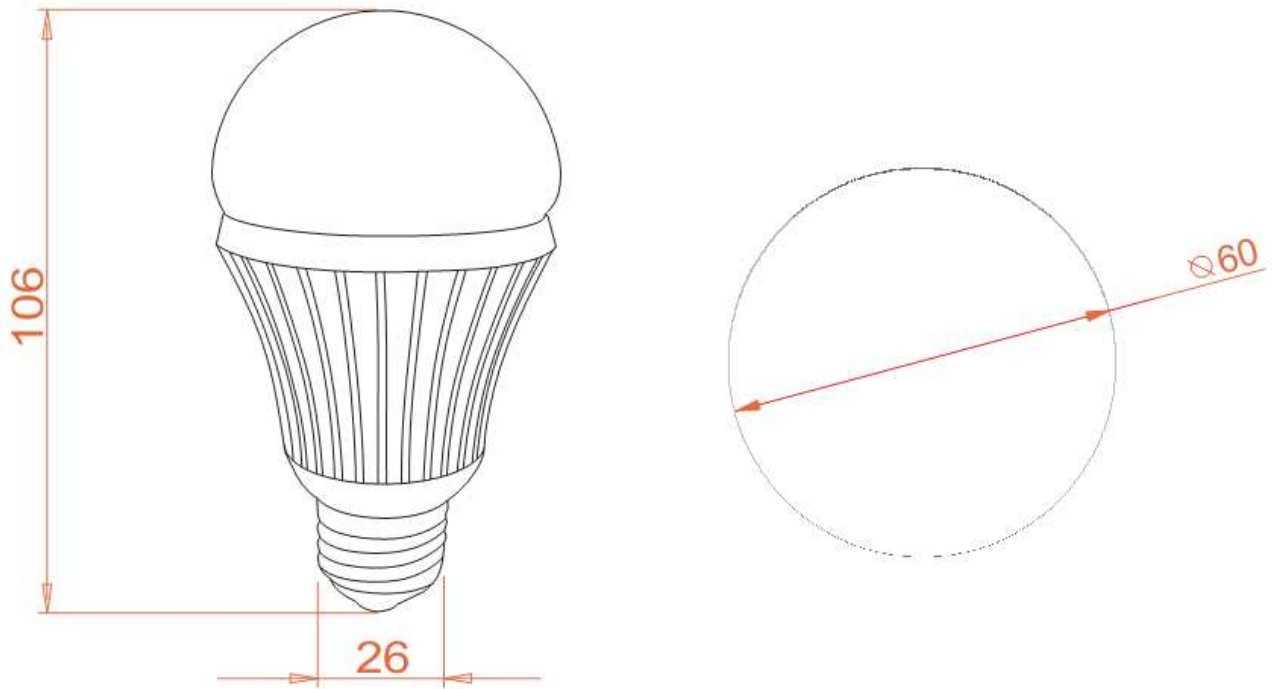
E27-5W SELF-BALLASTED BULB: (Type-C)

LD-CP-EB1X5X1C



# E27-5X1W Self ballasted Bulb: (C-type)

Assembly drawing

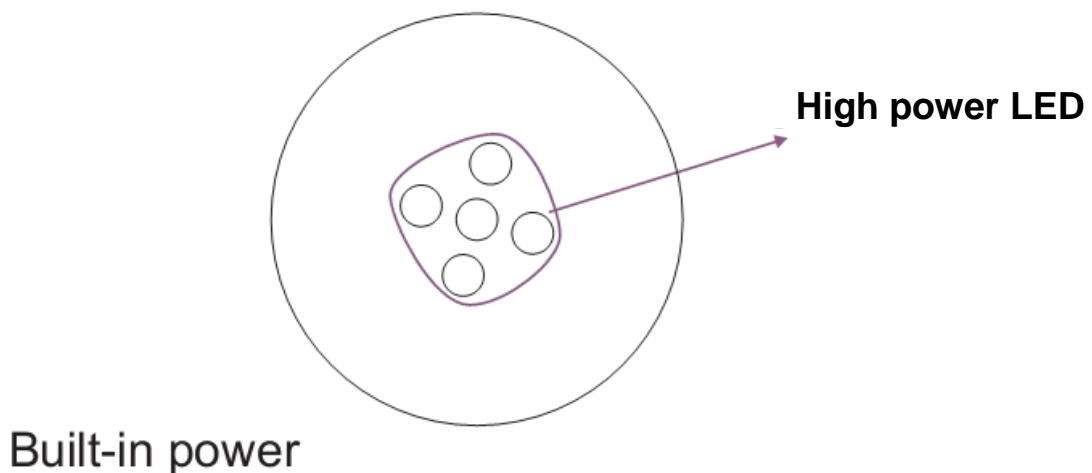


1. All dimensions are in millimeters.
2. Tolerance is  $\pm 1$ mm unless otherwise noted.

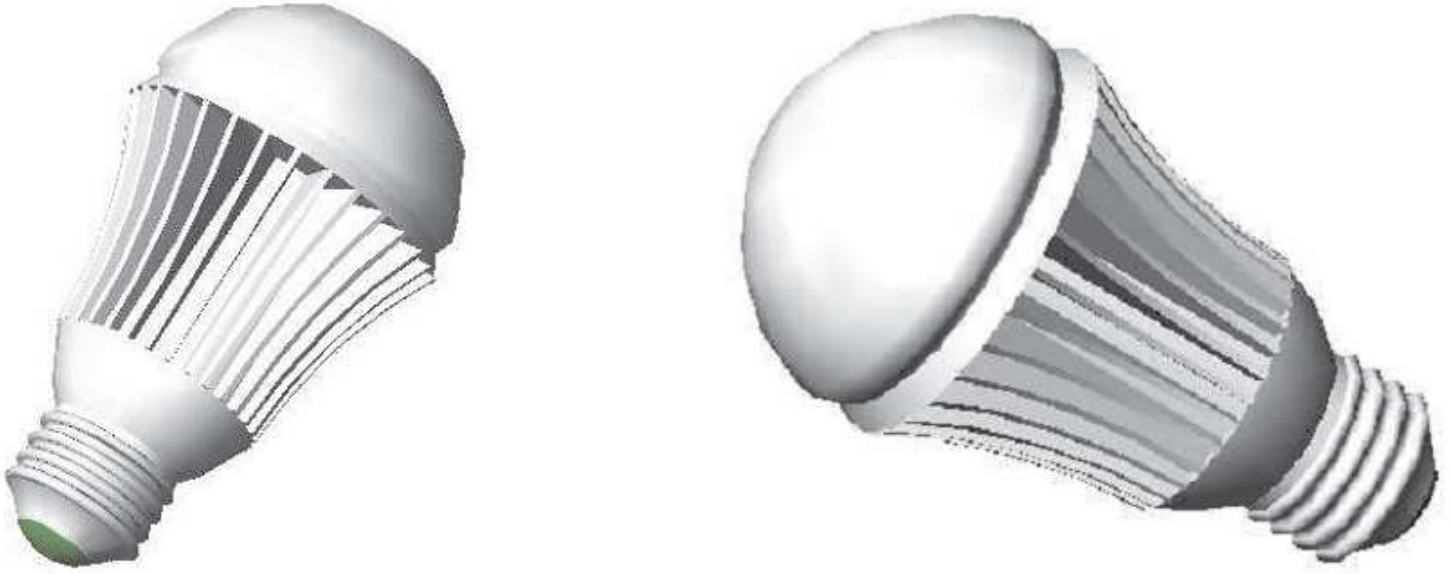
## Circuits

AC85~265V\_\_\_\_\_

Power Source\_\_\_\_\_




# E27-5X1W Self ballasted Bulb: (C-type)



Absolute maximum ratings at  $T_a = 25^\circ\text{C}$

Parameter	Symbol	Rating	Unit
Power Dissipation	$P_D$	5	W
D.C. Forward Current. .	$I_F$	350	mA
Operating temperature range	Topr.	-20 to +60	$^\circ\text{C}$
Storage temperature range	Tstg	-30 to +80	$^\circ\text{C}$
Electric Static Discharge Threshold (HBM)	ESD	6000	V

## Electrical and optical characteristics:

Bulb series : 5X1W C-type									
	Bulb: E27 (5X1W) C-type								
	Product type	Part number	Color	TC	Lumen	SIZE	Volt	Power	Current
				(K)		(MM)			
E27	LD-EB1X5X1C-WW	Warm white	2700-4000	425lm	Φ60 H:115	AC 85-265V	5W	350mA	
	LD-EB1X5X1C-W	Pure white	4000-7000	500lm					
	LD-EB1X5X1C-R	Red	615-630nm	175lm					
	LD-EB1X5X1C-G	Green	515-530nm	350lm					
	LD-EB1X5X1C-B	Blue	460-475nm	215lm					
	LD-EB1X5X1C-Y	Yellow	585-595nm	175lm					
	LD-EB1X5X1C-P	Pink	440-480nm	175lm					