

# PRODUCTS SPECIFICATION

## LED MANUAL DIMMER

(LD-MD)

Made by	Checked by	Version
Ms. Katie	Ms. Jane	2009.9.29

CE ~~Pb~~

ROHS



IP20

# MANUAI Dimmer introduction

## Features:

Working temperature : **-20°C ~ 60°C**

Working voltage:DC12V

Measurement:112\*65\*24mm

Aluminum alloy frame, it is not easy to be damage.

Maximum up to 18A current output.

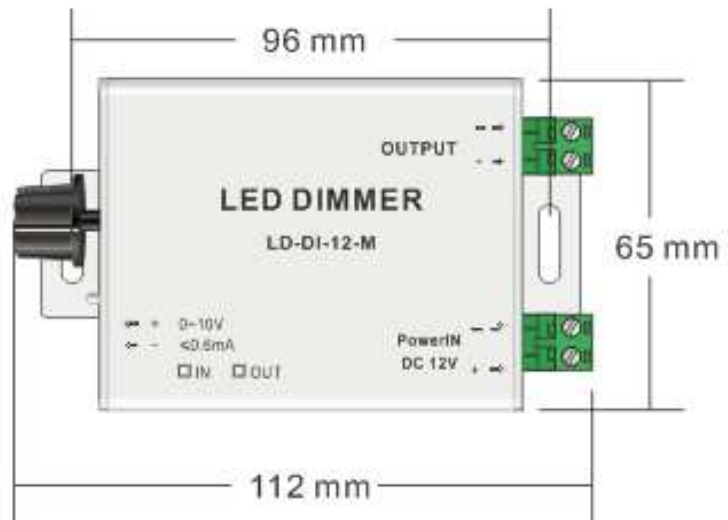
## Photos:

Use hand twist to the knob to control the brightness,



# Assembly drawing(Dimmers)

## Top View



## Section



## 3D View



Operation Temperature:  $-20^{\circ}\text{C} \sim 60^{\circ}\text{C}$

Store Temperature:  $-30^{\circ}\text{C} \sim 80^{\circ}\text{C}$

## LED Manual Dimmer explain

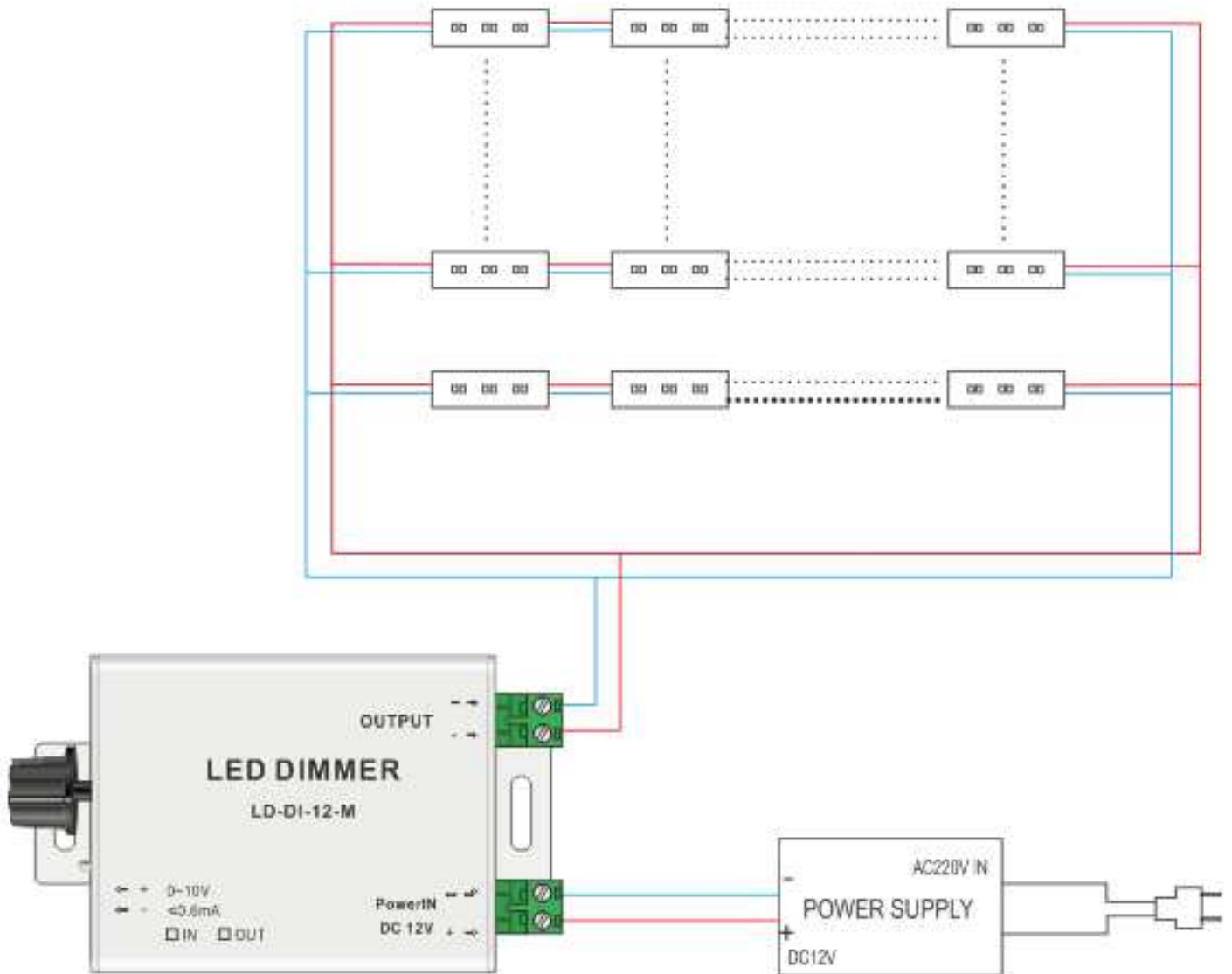


### Note:

1. Make sure that the power supply should be DC 12 with enough power for object;
2. With a max current 18A, make sure that object current should be less than 18A;

# How to connect Dimmer

Below shows you how to connect the Dimmer to power supplies.



## Note:

- 1、 This kind of connection works only to the single color products, such as single color flexible strip, single color Module, single color Rigid bars.
- 2、 If the LED products' Power is more than the LED dimmer, we suggest you to use Amplifiers . Before the installation, please check the working Voltage and powers of the LED products ,the LED dimmers, Amplifiers .(Make sure the LED products , the Amplifiers ,dimmer and Controller's working voltage are the same DC 12V or the same DC 24V.)
- 3、 The connection of the Amplifier and Dimmer refers to the Fig. The RGB terminals of the Amplifier should be connected to the Negative .(Details of amplifier specifications)